

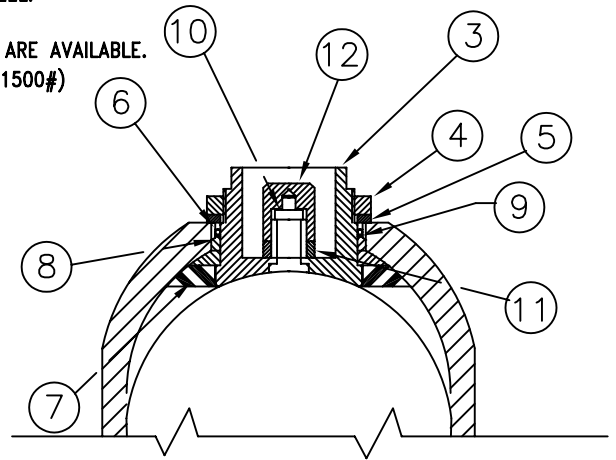
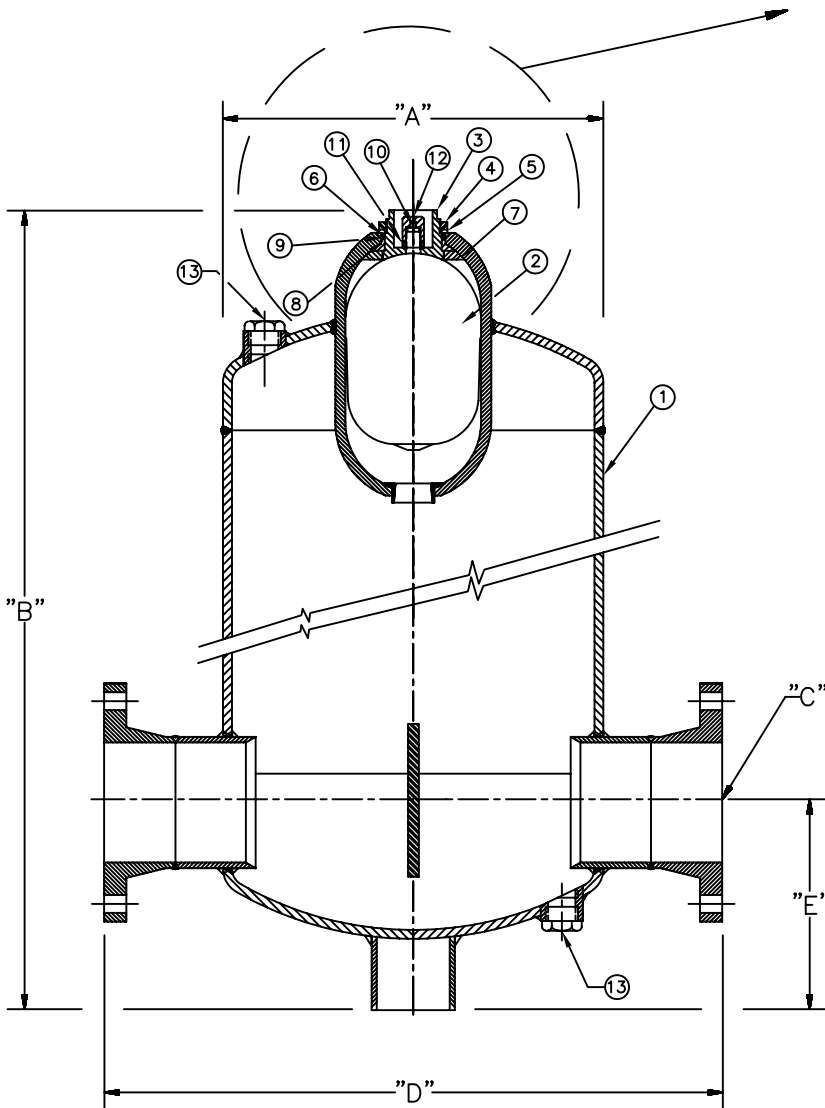
DATA SHEET FT-04

FLOWTHROUGH TOP REPAIRABLE SUCTION DAMPENER

275psi

Nominal Size (Gallon)	Model Number	"A" Dia. (In.)	"B" OAH. (In.)	"C" Fluid Port Connector	"D" Face to Face (In.) †	"E" Nozzle Ht. (In.)	Est. Dry Weight (Lbs.)	Design Pressure (psig.)
20	20FT-27	16	39	6"-150# RF ANSI *	25 (min)	11	287	275
50	50FT-27	22	47	8"-150# RF ANSI *	34 (min)	13	448	275

- ALL WETTED PARTS ARE STAINLESS STEEL OR EPOXY COATED CARBON STEEL.
- 275 PSI DESIGN PRESSURE WITH A 4X SAFETY FACTOR.
- BLADDER MATERIAL IS AROMATIC RESISTANT BUNA-N; OTHER COMPOUNDS ARE AVAILABLE.
- * • OTHER FLANGE RATINGS AND SIZES ARE AVAILABLE (300, 600, 900 and 1500#)
- † • EXTENDED FACE TO FACE FLANGE LENGTHS ARE AVAILABLE.
- TOP REPAIRABLE DESIGN.
- ASME CODED, SECTION VIII, DIV. 1.



PARTS LIST:

Item	Qty	Description
1	1	SHELL ASS'Y
2*	1	BLADDER ASS'Y
3	1	GAS END PLUG
4	1	LOCKNUT
5	1	SPACER
6*	1	BACK-UP RING
7	1	ANTI-EXTRUSION RING
8	1	METAL WASHER
9*	1	O-RING
10*	1	DYNA SEAL
11	1	JAM NUT
12	1	VALVE GUARD
13	2	PIPE PLUG (3/4" NPT)

*Recommended replacement parts.

