

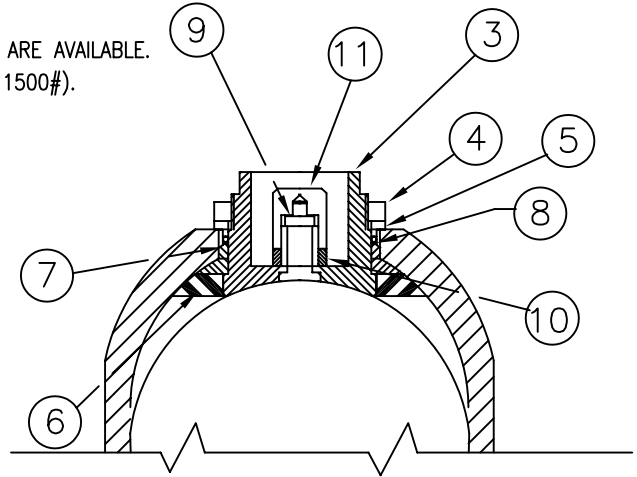
DATA SHEET FT-03

FLOWTHROUGH TOP REPAIRABLE SUCTION DAMPENER

275psi

Nominal Size (Gallon)	Model Number	"A" Dia. (In.)	"B" OAH. (In.)	"C" Fluid Port Connector	"D" Face to Face (In.) †	"E" Nozzle Height (In.)	Est. Dry Weight (Lbs.)	Design Pressure (psig.)
5	5.0FT-27	10.75	31.00	3"-150# RF ANSI*	18.25 (MIN)	11.50	110	275
10	10FT-27	10.75	38.75	4"-150# RF ANSI*	18.25 (MIN)	11.50	128	275

- ALL WETTED PARTS ARE STAINLESS STEEL OR EPOXY COATED CARBON STEEL.
- 275 PSI DESIGN PRESSURE WITH A 4X SAFETY FACTOR.
- BLADDER MATERIAL IS AROMATIC RESISTANT BUNA-N; OTHER COMPOUNDS ARE AVAILABLE.
- * ● OTHER FLANGE RATINGS AND SIZES ARE AVAILABLE (300, 600, 900 AND 1500#).
- ASME CODED, SECTION VII, DIV. 1.
- † ● EXTENDED FACE TO FACE FLANGE LENGTHS ARE AVAILABLE.
- TOP REPAIRABLE DESIGN.



PARTS LIST:

Item	Qty	Description
1	1	SHELL ASSEMBLY
2*	1	BLADDER ASSEMBLY
3	1	GAS END PLUG
4	1	LOCK NUT
5	1	SPACER
6	1	ANTI-EXTRUSION RING
7	1	WASHER
8*	1	O-RING
9*	1	DYNA SEAL
10	1	JAM NUT
11	1	VALVE GUARD
12	2	PIPE PLUG

*Recommended replacement parts.

