

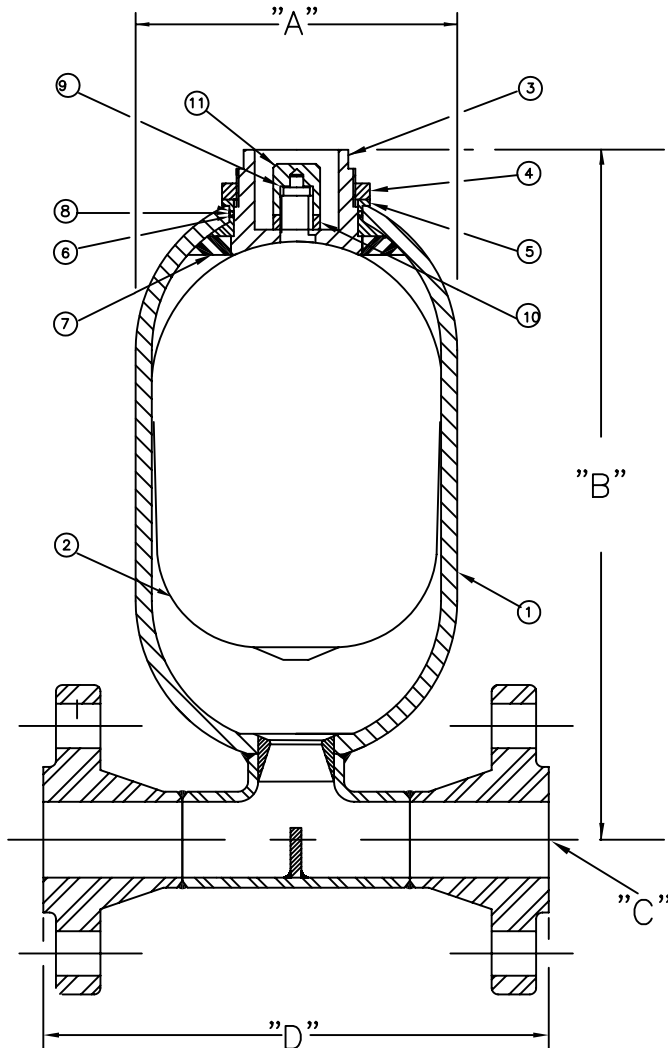
# DATA SHEET FT-02

FLOWTHROUGH TOP REPAIRABLE DISCHARGE DAMPENER

3000psi

Nominal Size (Gallon)	Model Number	"A" Dia. (In.)	"B" OAH. (In.)	"C" Fluid Port Connector	"D" Face to Face (In.) †	Est. Dry Weight (Lbs.)	Design Pressure (psig.)
1.0	1.0FT-3000C	6-5/8	15.50	2"-1500# RF ANSI*	11.50 (MIN)	44	3000

- ALL WETTED PARTS ARE STAINLESS STEEL OR EPOXY COATED CARBON STEEL.
- 3000 PSI DESIGN PRESSURE WITH A 4X SAFETY FACTOR.
- BLADDER MATERIAL IS AROMATIC RESISTANT BUNA-N; OTHER COMPOUNDS ARE AVAILABLE.
- \* ● OTHER FLANGE RATINGS AND SIZES ARE AVAILABLE (150, 300, 600 AND 900#), DESIGN PRESSURE WILL VARY WITH FLANGE RATING.
- ASME CODED, SECTION VIII, DIV. 1.
- † ● EXTENDED FACE TO FACE FLANGE LENGTHS ARE AVAILABLE.
- TOP REPAIRABLE DESIGN.



## PARTS LIST:

Item	Qty	Description
1	1	SHELL ASSEMBLY
2*	1	BLADDER ASSEMBLY
3	1	GAS END PLUG
4	1	LOCK NUT
5	1	SPACER
6	1	WASHER
7	1	ANTI-EXTRUSION RING
8*	1	O-RING
9*	1	DYNA SEAL
10	1	JAM NUT
11	1	VALVE GUARD

\*Recommended replacement parts.

