

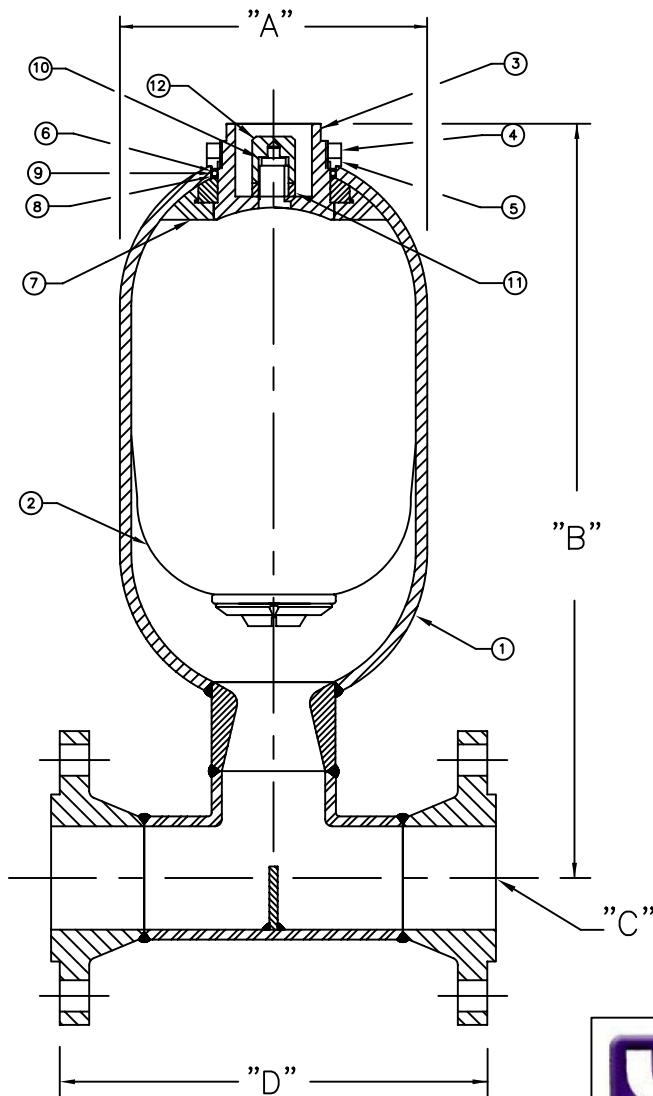
DATA SHEET FT-01

FLOWTHROUGH TOP REPAIRABLE DISCHARGE DAMPENER

3000psi

Nominal Size (Gallon)	Model Number	"A" Dia. (In.)	"B" OAH. (In.)	"C" Fluid Port Connector	"D" Face to Face (In.) †	Est. Dry Weight (Lbs.)	Design Pressure (psig.)
2.5	2.5FT-3000C	9.0	22	3"-1500# RF ANSI*	14.75 (min)	185	3000
5	5.0FT-3000C	9.0	33	3"-1500# RF ANSI*	14.75 (min)	231	3000
10	10FT-3000C	9.0	55	3"-1500# RF ANSI*	14.75 (min)	304	3000

- ALL WETTED PARTS ARE STAINLESS STEEL OR EPOXY COATED CARBON STEEL.
- 3000 PSI DESIGN PRESSURE WITH A 4X SAFETY FACTOR.
- BLADDER MATERIAL IS AROMATIC RESISTANT BUNA-N; OTHER COMPOUNDS ARE AVAILABLE.
- * • OTHER FLANGE RATINGS AND SIZES ARE AVAILABLE (150, 300, 600 AND 900#), DESIGN PRESSURE WILL VARY WITH FLANGE RATING.
- ASME CODED, SECTION VIII, DIV. 1.
- † • EXTENDED FACE TO FACE FLANGE LENGTHS ARE AVAILABLE.
- TOP REPAIRABLE DESIGN.



PARTS LIST:

Item	Qty	Description
1	1	SHELL ASSEMBLY
2*	1	BLADDER ASSEMBLY
3	1	GAS END PLUG
4	1	LOCK NUT
5	1	SPACER
6	1	BACK-UP RING
7	1	ANTI-EXTRUSION RING
8	1	WASHER
9*	1	O-RING
10*	1	DYNA SEAL
11	1	JAM NUT
12	1	VALVE GUARD

*Recommended replacement parts.

