

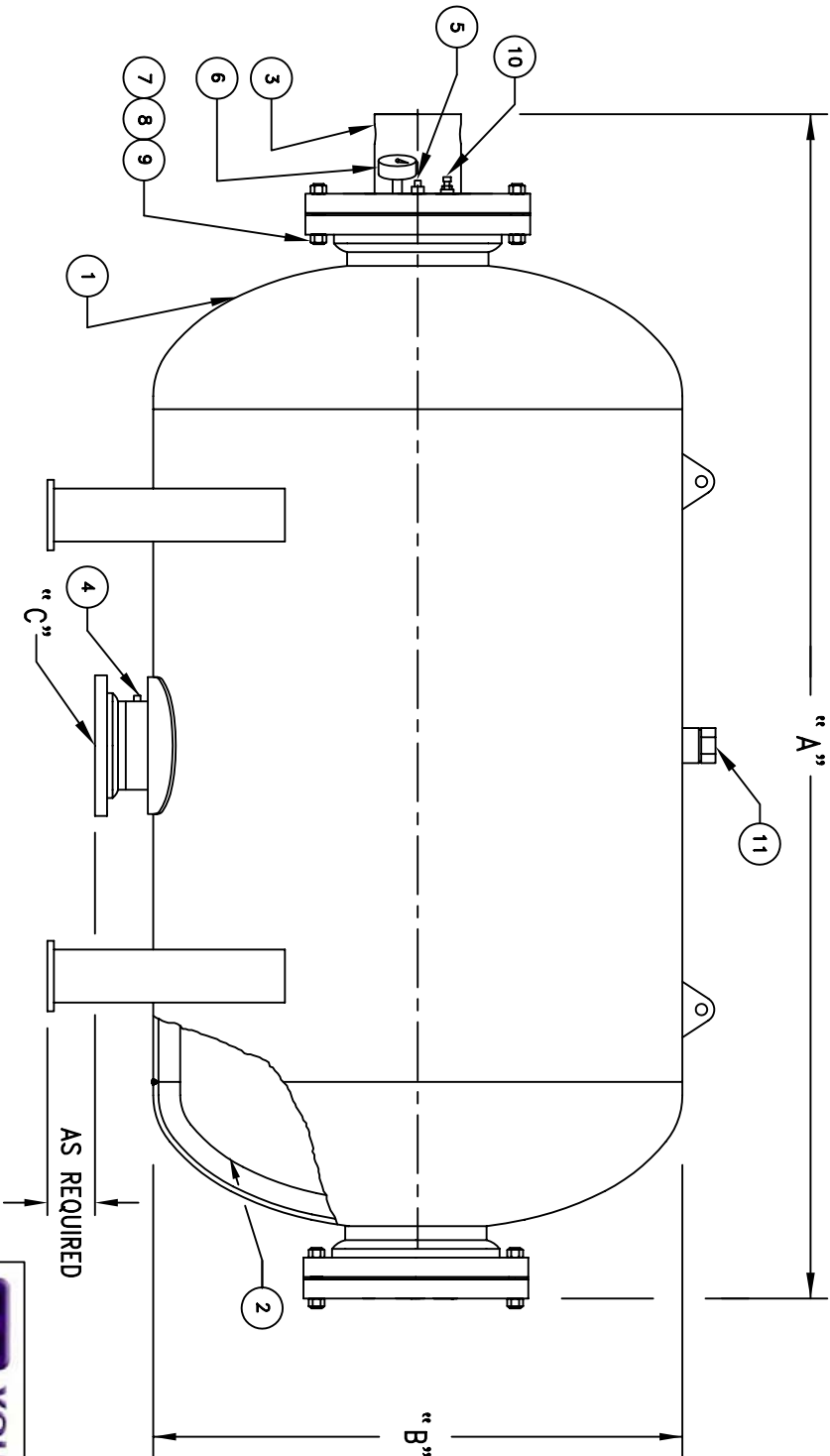
DATA SHEET BST-04

BLADDER SURGE TANK

500psi

Nominal Size (Gallon)	Model Number	"A" OAL.	"B" Dia.	"C" Fluid Port Connector	Est. Dry Weight (Lbs.)	Design Pressure (psig.)
1000	1000BST-50	125"	60"	10"-300# RF ANSI	6700	500
2500	2500BST-50	159"	72"	12"-300# RF ANSI	15100	500
5000	5000BST-50	333"	72"	12"-300# RF ANSI	25100	500

- ALL WETTED PARTS ARE STAINLESS STEEL OR EPOXY COATED CARBON STEEL.
- 500 PSI DESIGN PRESSURE WITH A 4X SAFETY FACTOR.
- ASME CODED, SECTION VIII, DIV. 1.



PARTS LIST:

Item	Description
1	SHELL ASS'Y
2*	BLADDER ASS'Y
3	GAS PLATE ASSEMBLY
4	1" SQ. PIPE PLUG
5*	1/2" RUPTURE DISC
6	PRESSURE GAUGE
7	THREAD STUD
8	FLAT WASHER
9	HEX. HEAD NUT
10	GAS CHARGING VALVE
11	2" NPT PIPE PLUG

*Recommended replacement parts.

BST-04/REV B/8-1-02



Young Engineering Manufacturing, Inc.

560 West Terrace Drive, San Dimas, California 91773-2914
 Ph 909.394.3225 Fax 909.394.3006 Em yeml@youngeng.com