

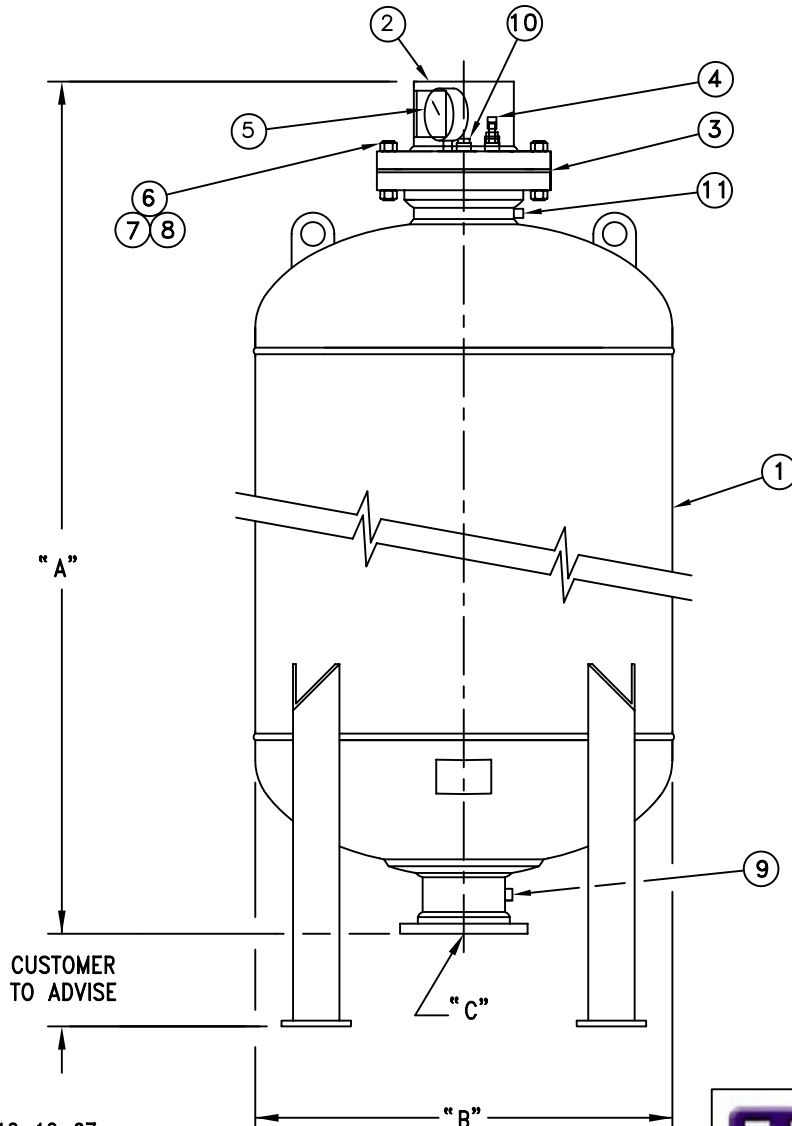
DATA SHEET BST-02A

BLADDER SURGE TANK

500 psi

Nominal Size (Gallon)	Model Number	"A" APPR. OAH.(In.)	"B" Dia. (In.)	"C" Fluid Port Connector	Est. Dry Weight (Lbs.)	Design Pressure (psig.)
750	750BST-50	133	48	8"-300# RF ANSI	5725	500
1000	1000BST-50	120	60	12"-300# RF ANSI	7585	500
1500	1500BST-50	163	60	12"-300# RF ANSI	10,150	500
2000	2000BST-50	155	72	12"-300# RF ANSI	14,105	500
2500	2500BST-50	147	84	12"-300# RF ANSI	16,425	500
3000	3000BST-50	169	84	12"-300# RF ANSI	18,900	500
4000	4000BST-50	175	96	12"-300# RF ANSI	25,110	500
5000	5000BST-50	207	96	12"-300# RF ANSI	30,100	500

- ALL WETTED PARTS ARE STAINLESS STEEL OR EPOXY COATED CARBON STEEL.
- 500 PSI DESIGN PRESSURE WITH A 4X SAFETY FACTOR.
- ASME CODED, SECTION VIII, DIV. 1.
- BLADDER MATERIAL IS NITRILE RUBBER (BUNA-N).
- TOP REPAIRABLE DESIGN.
- SUPPORTS DESIGNED IN ACCORDANCE WITH UBC SEISMIC ZONE 4.



PARTS LIST:

Item	Description
1	SHELL ASS'Y
2	GAS PLATE ASSEMBLY
3*	BLADDER
4	GAS CHARGING VALVE
5	PRESSURE GAUGE
6	THREAD STUD
7	HEX. NUT
8	FLAT WASHER
9	1/2" SQ. PIPE PLUG
10*	1/2" RUPTURE DISC
11	1/8" NPT PIPE PLUG

*Recommended replacement parts.

BST-02A/12-12-07



**young
engineering
manufacturing, inc.**

560 West Terrace Drive, San Dimas, California 91773-2914
Ph 909.394.3225 Fax 909.394.3006 Em yemi@youngeng.com