

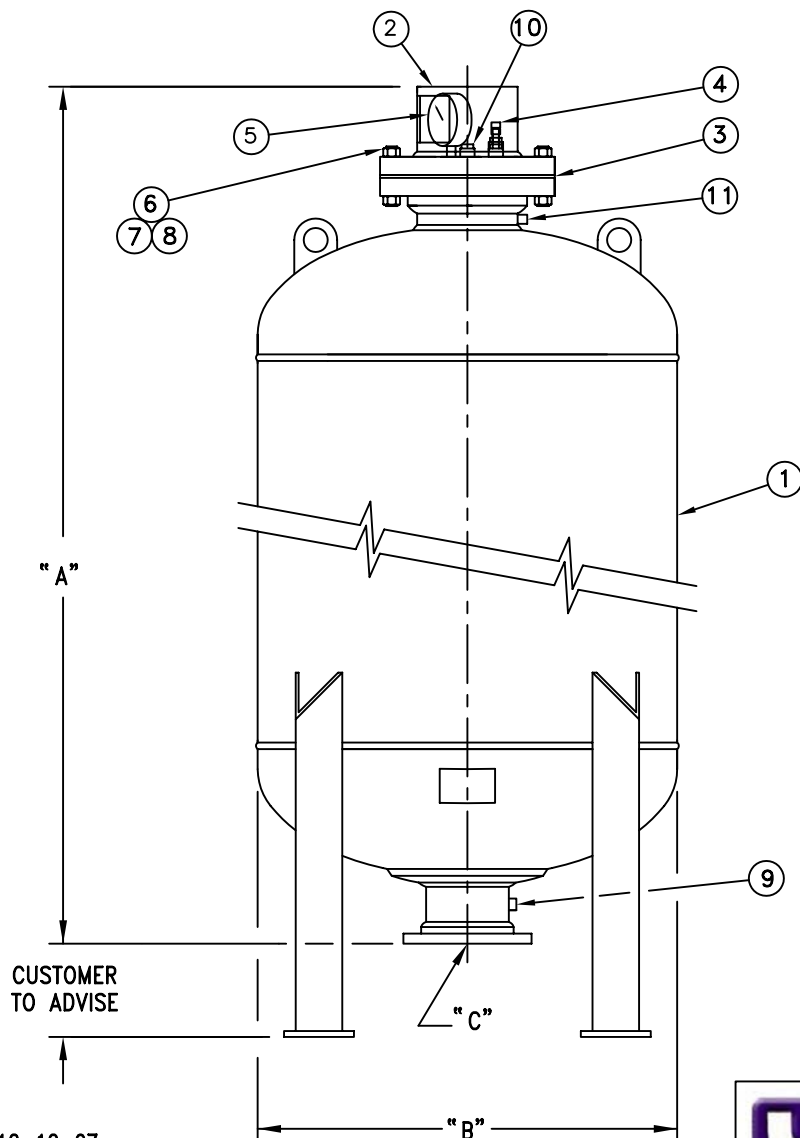
# DATA SHEET BST-01A

## BLADDER SURGE TANK

275 psi

Nominal Size (Gallon)	Model Number	"A" APPR. OAH. (In.)	"B" Dia. (In.)	"C" Fluid Port Connector	Est. Dry Weight (Lbs.)	Design Pressure (psig.)
750	750BST-27	133	48	8"-150# RF ANSI	3880	275
1000	1000BST-27	120	60	12"-150# RF ANSI	5000	275
1500	1500BST-27	163	60	12"-150# RF ANSI	6460	275
2000	2000BST-27	155	72	12"-150# RF ANSI	8420	275
2500	2500BST-27	147	84	12"-150# RF ANSI	10,050	275
3000	3000BST-27	169	84	12"-150# RF ANSI	11,530	275
4000	4000BST-27	175	96	12"-150# RF ANSI	15,265	275
5000	5000BST-27	207	96	12"-150# RF ANSI	18,155	275

- ALL WETTED PARTS ARE STAINLESS STEEL OR EPOXY COATED CARBON STEEL.
- 275 PSI DESIGN PRESSURE WITH A 4X SAFETY FACTOR.
- ASME CODED, SECTION VIII, DIV. 1.
- BLADDER MATERIAL IS NITRILE RUBBER (BUNA-N).
- TOP REPAIRABLE DESIGN.
- SUPPORTS DESIGNED IN ACCORDANCE WITH UBC SEISMIC ZONE 4.



### PARTS LIST:

Item	Description
1	SHELL ASS'Y
2	GAS PLATE ASSEMBLY
3*	BLADDER
4	GAS CHARGING VALVE
5	PRESSURE GAUGE
6	THREAD STUD
7	HEX. NUT
8	FLAT WASHER
9	1/2" SQ. PIPE PLUG
10*	1/2" RUPTURE DISC
11	1/8" NPT PIPE PLUG

\*Recommended replacement parts.

BST-01A/12-12-07



**young  
engineering  
manufacturing, inc.**

560 West Terrace Drive, San Dimas, California 91773-2914  
Ph 909.394.3225 Fax 909.394.3006 Em yemi@youngeng.com