

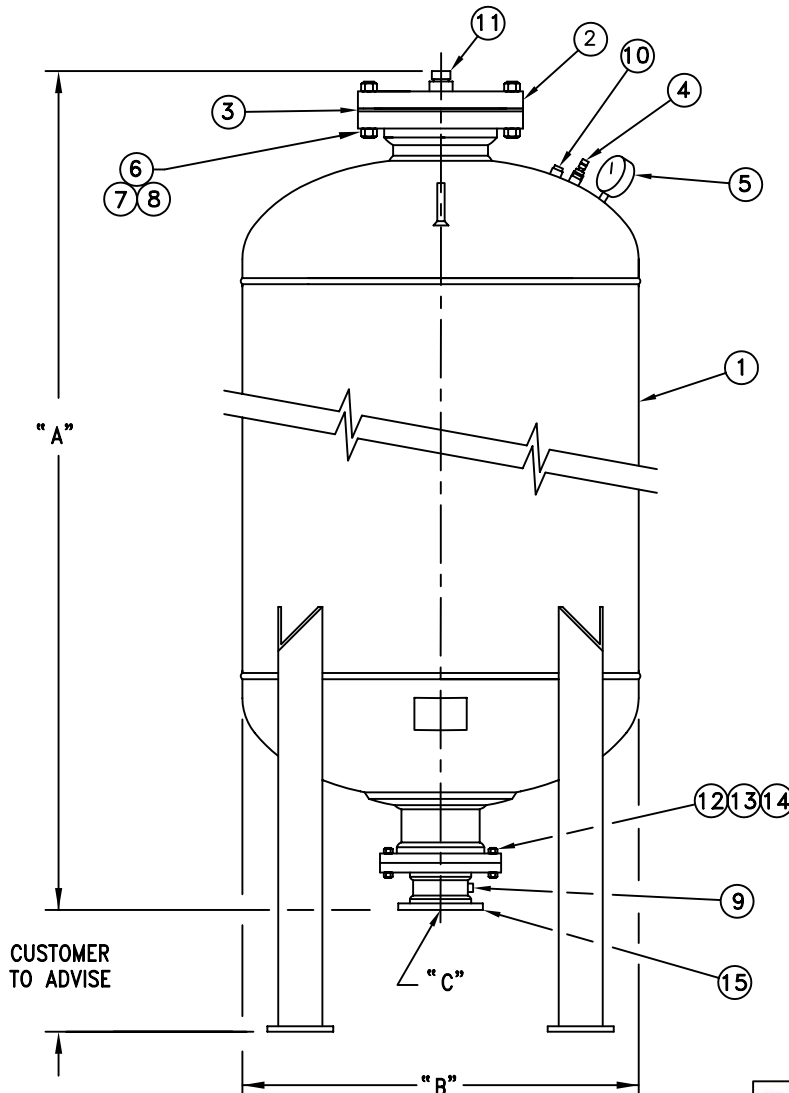
DATA SHEET BSST-01A

BLADDER SEWAGE SURGE TANK

275 psi

Nominal Size (Gallon)	Model Number	"A" APPR. OAH. (In.)	"B" Dia. (In.)	"C" Fluid Port Connector	Est. Dry Weight (Lbs.)	Design Pressure (psig.)
750	750BSST-27	139	48	8"-150# RF ANSI	3940	275
1000	1000BSST-27	126	60	12"-150# RF ANSI	5050	275
1500	1500BSST-27	169	60	12"-150# RF ANSI	6530	275
2000	2000BSST-27	161	72	12"-150# RF ANSI	8490	275
2500	2500BSST-27	153	84	12"-150# RF ANSI	10,115	275
3000	3000BSST-27	175	84	12"-150# RF ANSI	11,610	275
4000	4000BSST-27	181	96	12"-150# RF ANSI	15,340	275
5000	5000BSST-27	213	96	12"-150# RF ANSI	18,245	275

- ALL WETTED PARTS ARE STAINLESS STEEL OR EPOXY COATED CARBON STEEL.
- 275 PSI DESIGN PRESSURE WITH A 4X SAFETY FACTOR.
- ASME CODED, SECTION VIII, DIV. 1.
- BLADDER MATERIAL IS NITRILE RUBBER (BUNA-N).
- TOP REPAIRABLE DESIGN.
- SUPPORTS DESIGNED IN ACCORDANCE WITH UBC SEISMIC ZONE 4.



PARTS LIST:

Item	Description
1	SHELL ASS'Y
2	GAS PLATE ASSEMBLY
3*	BLADDER
4	GAS CHARGING VALVE
5	PRESSURE GAUGE
6	THREAD STUD
7	HEX NUT
8	FLAT WASHER
9	1-1/2" SQ. PIPE PLUG
10*	1/2" RUPTURE DISC
11	3" NPT PIPE PLUG
12	THREAD STUD
13	HEX NUT
14	FLAT WASHER
15	SPOOL PIECE

*Recommended replacement parts.