

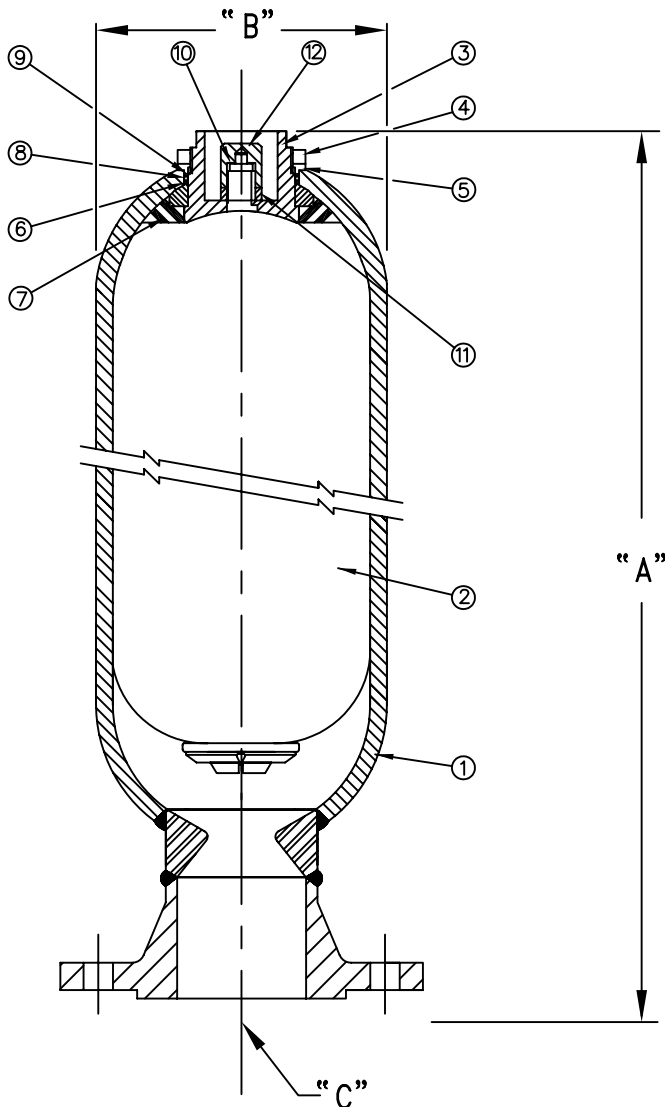
DATA SHEET BSS-01

APPENDAGE TOP REPAIRABLE SURGE SUPPRESSOR

275psi

Nominal Size (Gallon)	Model Number	"A" OAH (In.)	"B" Dia (In.)	"C" Fluid Port Connector	Est. Dry Weight (lbs)	Design Pressure (psig)
2.5	2.5BSS-27	20	8-5/8	3"-150# RF FLANGE	65	275
5	5.0BSS-27	32	8-5/8	3"-150# RF FLANGE	91	275
10	10BSS-27	55.63	8-5/8	3"-150# RF FLANGE	154	275

- ALL WETTED PARTS ARE STAINLESS STEEL OR CARBON STEEL.
- 275 PSI DESIGN PRESSURE WITH A 4X SAFETY FACTOR.
- BLADDER MATERIAL IS AROMATIC RESISTANT BUNA-N; OTHER COMPOUNDS ARE AVAILABLE.
- ASME CODED, SECTION VIII, DIV. 1.



PARTS LIST:

Item	Qty	Description
1	1	SHELL
2 *	1	BLADDER ASS'Y
3	1	GAS END PLUG
4	1	LOCKNUT
5	1	SPACER
6	1	WASHER
7	1	ANTI-EXTRUSION RING
8 *	1	O-RING
9 *	1	BACK-UP RING
10 *	1	DYNA SEAL
11	1	JAM NUT
12	1	VALVE GUARD

*Recommended replacement parts.

