

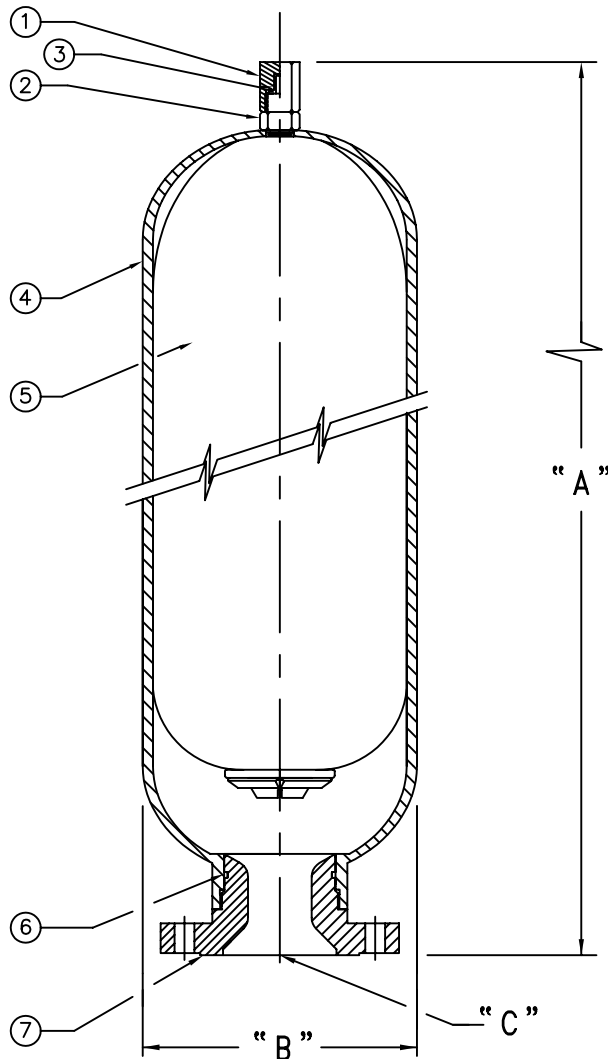
DATA SHEET BSD-01

APPENDAGE BOTTOM REPAIRABLE SUCTION DAMPENERS

275 psi

Nominal Size (Gallons)	Model Number	"A" OAH. (In.)	"B" Dia. (In.)	"C" Fluid Port Connector	Est. Dry Weight (Lbs.)	Design Pressure (psig.)
2.5	2.5BSD-27	19-3/8	8-5/8	3"-150# ANSI FLANGE	55	275
5.0	5.0BSD-27	29-3/4	8-5/8	3"-150# ANSI FLANGE	75	275
10	10BSD-27	51-5/8	8-5/8	3"-150# ANSI FLANGE	116	275

- ALL WETTED PARTS ARE STAINLESS STEEL OR EPOXY COATED CARBON STEEL.
- 275 PSI DESIGN PRESSURE WITH A 4X SAFETY FACTOR.
- BLADDER MATERIAL IS AROMATIC RESISTANT BUNA-N; OTHER COMPOUNDS ARE AVAILABLE.
- ASME CODED, SECTION VIII, DIV. 1.



PARTS LIST:

Item	Qty	Description
1	1	VALVE GUARD
2	1	LOCKNUT
3 *	1	DYNA-SEAL
4	1	SHELL
5 *	1	BLADDER ASSEMBLY
6 *	1	O-RING
7	1	FLANGE ADAPTOR

*Recommended replacement parts.

