

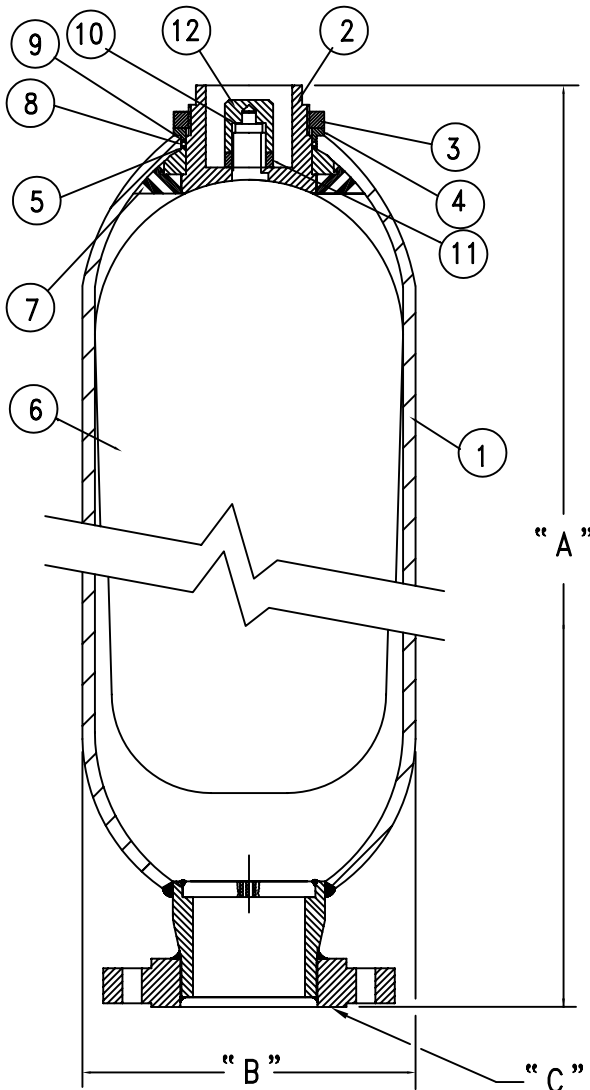
DATA SHEET BSAT-06

TOP REPAIRABLE SURGE SUPPRESSOR

500 psi

Normal Size (Gallons)	Model Number	"A" OAH. (In.)	"B" Dia. (In.)	"C" FLUID PORT CONN.	Est. Dry Weight (lbs.)	Design Pressure (psig.)
2.5	2.5BSAT-50	19-3/4	8-5/8	3"-300# ANSI FLANGE	66	500
5.0	5.0BSAT-50	31-1/2	8-5/8	3"-300# ANSI FLANGE	86	500
10	10BSAT-50	52	8-5/8	3"-300# ANSI FLANGE	127	500

- ALL WETTED PARTS ARE STAINLESS STEEL OR EPOXY COATED CARBON STEEL.
- 500 PSI DESIGN PRESSURE WITH A 4X SAFETY FACTOR.
- TOP REPAIRABLE WITH STAINLESS STEEL GAS PLUG.
- BLADDER MATERIAL IS AROMATIC RESISTANT BUNA-N; OTHER COMPOUNDS ARE AVAILABLE.
- ASME CODED, SECTION VIII, DIV. 1.



PARTS LIST:

Item	Qty	Description
1	1	SHELL
2	1	GAS END PLUG
3	1	LOCK NUT
4	1	SPACER
5	1	WASHER
6*	1	BLADDER ASSEMBLY
7	1	ANTI-EXTRUSION RING
8*	1	O-RING
9*	1	BACK-UP RING
10*	1	DYNA SEAL
11	1	JAM NUT
12	1	VALVE GUARD

*Recommended replacement parts.
UL and FM Approved.