

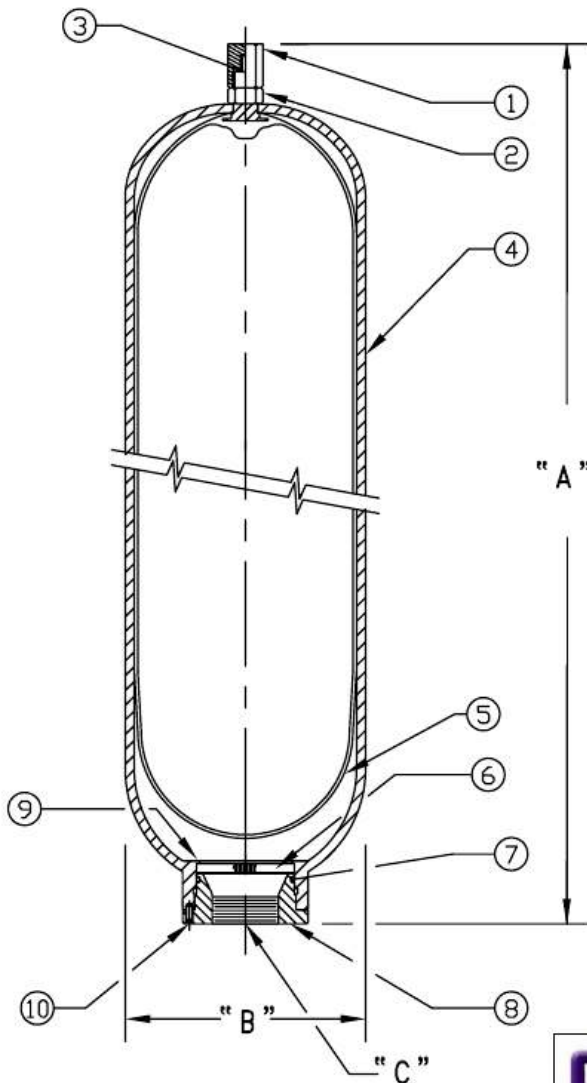
DATA SHEET BSA-07

BOTTOM REPAIRABLE SURGE SUPPRESSOR

275 psi

Nominal Size (Gallons)	Model Number	"A" OAH. (In.)	"B" Dia. (In.)	"C" Fluid Port Connector	Est. Dry Weight (Lbs.)	Design Pressure (psig.)
2.5	2.5BSA-27	17.00	8-5/8	2" NPT (FEMALE)	46	275
5.0	5.0BSA-27	31.50	8-5/8	2" NPT (FEMALE)	65	275
10	10BSA-27	50.50	8-5/8	2" NPT (FEMALE)	107	275

- ALL WETTED PARTS ARE STAINLESS STEEL OR EPOXY COATED CARBON STEEL.
- 275 PSI DESIGN PRESSURE WITH A 4X SAFETY FACTOR.
- BLADDER MATERIAL IS AROMATIC RESISTANT BUNA-N; OTHER COMPOUNDS ARE AVAILABLE.
- ASME CODED, SECTION VIII, DIV. 1.



PARTS LIST:

Item	Qty	Description
1	1	VALVE GUARD
2	1	LOCKNUT
3*	1	DYNA-SEAL
4	1	SHELL
5*	1	BLADDER ASSEMBLY
6	1	SCREEN
7*	1	O-RING
8	1	THREADED ADAPTOR
9	1	RETAINING RING
10	1	SOCKET SET SCREW

*Recommended replacement parts.

BSA-07/12-8-95



**young
engineering
manufacturing, inc.**

560 West Terrace Drive, San Dimas, California 91773-2914
Ph 909.394.3225 Fax 909.394.3006 Em yemi@youngeng.com