

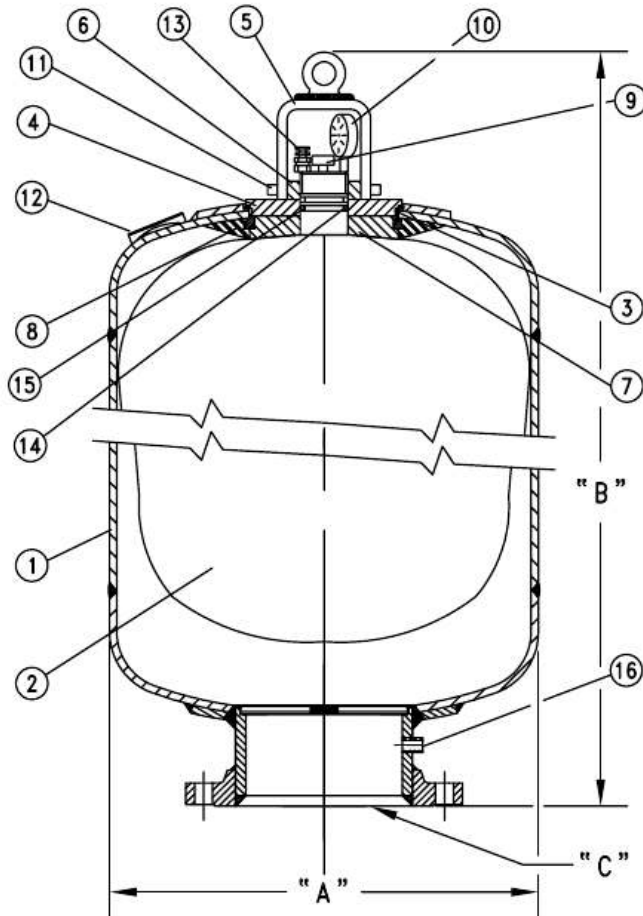
# DATA SHEET BSA-06

## APPENDAGE TOP REPAIRABLE SURGE SUPPRESSOR

500psi

Nominal Size (Gallon)	Model Number	"A" Dia. (In.)	"B" OAH. (In.)	"C" Fluid Port Connector	Est. Dry Weight (Lbs.)	Design Pressure (psig.)
25	25BSA-50	22	36	8"-300# RF ANSI	340	500
40	40BSA-50	22	44	8"-300# RF ANSI	401	500
80	80BSA-50	22	65	8"-300# RF ANSI	574	500
100	100BSA-50	22	85	8"-300# RF ANSI	737	500
120	120BSA-50	22	102	8"-300# RF ANSI	881	500
150	150BSA-50	24	102	8"-300# RF ANSI	961	500

- ALL WETTED PARTS ARE STAINLESS STEEL OR EPOXY COATED CARBON STEEL.
- 500 PSI DESIGN PRESSURE WITH A 4X SAFETY FACTOR.
- BLADDER MATERIAL IS AROMATIC RESISTANT BUNA-N; OTHER COMPOUNDS ARE AVAILABLE.
- ASME CODED, SECTION VIII, DIV. 1.



### PARTS LIST:

Item	Qty	Description
1	1	SHELL ASS'Y
2*	1	BLADDER ASS'Y
3*	1	O-RING
4	1	PLATE, GAS END
5	1	VALVE GUARD ASS'Y
6	1	LOCKNUT
7	1	GAS PLUG
8	1	ANTI EXTRUSION RING
9	1	PIPE PLUG
10	1	PRESSURE GAUGE
11	4	SOCKET HEAD CAP SCREW
12	1	NAMEPLATE (ASME)
13	1	GAS VALVE
14*	1	O-RING
15*	1	BACK-UP RING
16	1	1/2" STAINLESS STEEL PLUG

\*Recommended replacement parts.

BSA-06\4-16-95



**young  
engineering  
manufacturing, inc.**

560 West Terrace Drive, San Dimas, California 91773-2914  
Ph 909.394.3225 Fax 909.394.3006 Em yemi@youngeng.com