

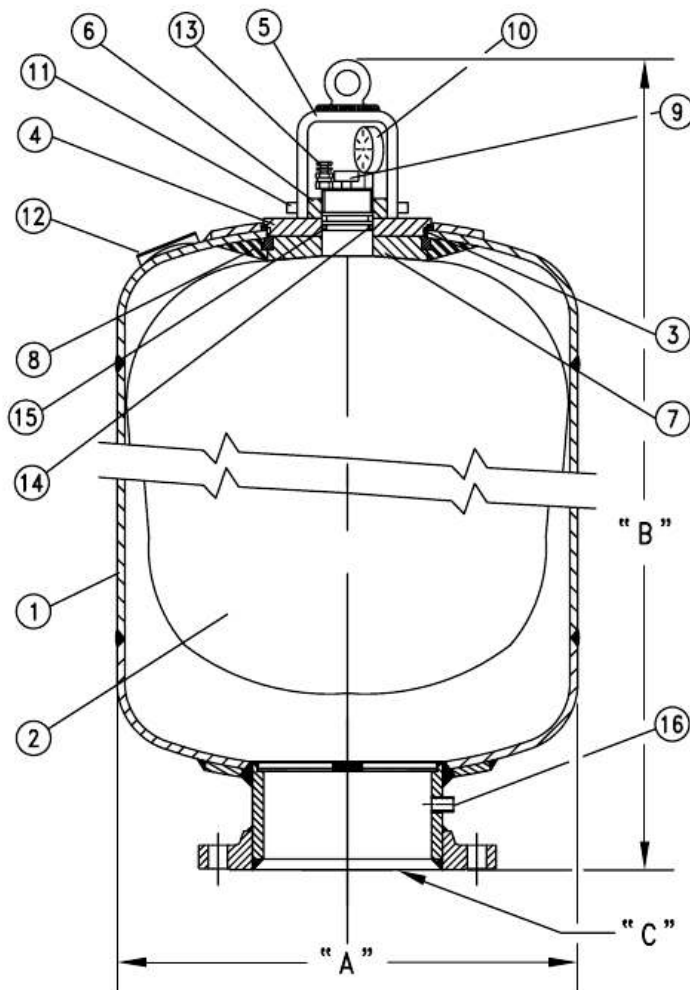
DATA SHEET BSA-05

APPENDAGE TOP REPAIRABLE SURGE SUPPRESSOR

275psi

Nominal Size (Gallon)	Model Number	"A" Dia. (In.)	"B" OAH. (In.)	"C" Fluid Port Connector	Est. Dry Weight (Lbs.)	Design Pressure (psig.)
25	25BSA-27	22	36	8"-150# RF ANSI	315	275
40	40BSA-27	22	44	8"-150# RF ANSI	376	275
80	80BSA-27	22	65	8"-150# RF ANSI	549	275
100	100BSA-27	22	85	8"-150# RF ANSI	712	275
120	120BSA-27	22	102	8"-150# RF ANSI	856	275
150	150BSA-27	24	102	8"-150# RF ANSI	936	275

- ALL WETTED PARTS ARE STAINLESS STEEL OR EPOXY COATED CARBON STEEL.
- 275 PSI DESIGN PRESSURE WITH A 4X SAFETY FACTOR.
- BLADDER MATERIAL IS AROMATIC RESISTANT BUNA-N; OTHER COMPOUNDS ARE AVAILABLE.
- ASME CODED, SECTION VIII, DIV. 1.



PARTS LIST:

Item	Qty	Description
1	1	SHELL ASS'Y
2*	1	BLADDER ASS'Y
3*	1	O-RING
4	1	PLATE, GAS END
5	1	VALVE GUARD ASS'Y
6	1	LOCKNUT
7	1	GAS PLUG
8	1	ANTI EXTRUSION RING
9	1	PIPE PLUG
10	1	PRESSURE GAUGE
11	4	SOCKET HEAD CAP SCREW
12	1	NAMEPLATE (ASME)
13	1	GAS VALVE
14*	1	O-RING
15*	1	BACK-UP RING
16	1	1/2" STAINLESS STEEL PLUG

*Recommended replacement parts.



**young
engineering
manufacturing, inc.**

560 West Terrace Drive, San Dimas, California 91773-2914
Ph 909.394.3225 Fax 909.394.3006 Em yemi@youngeng.com