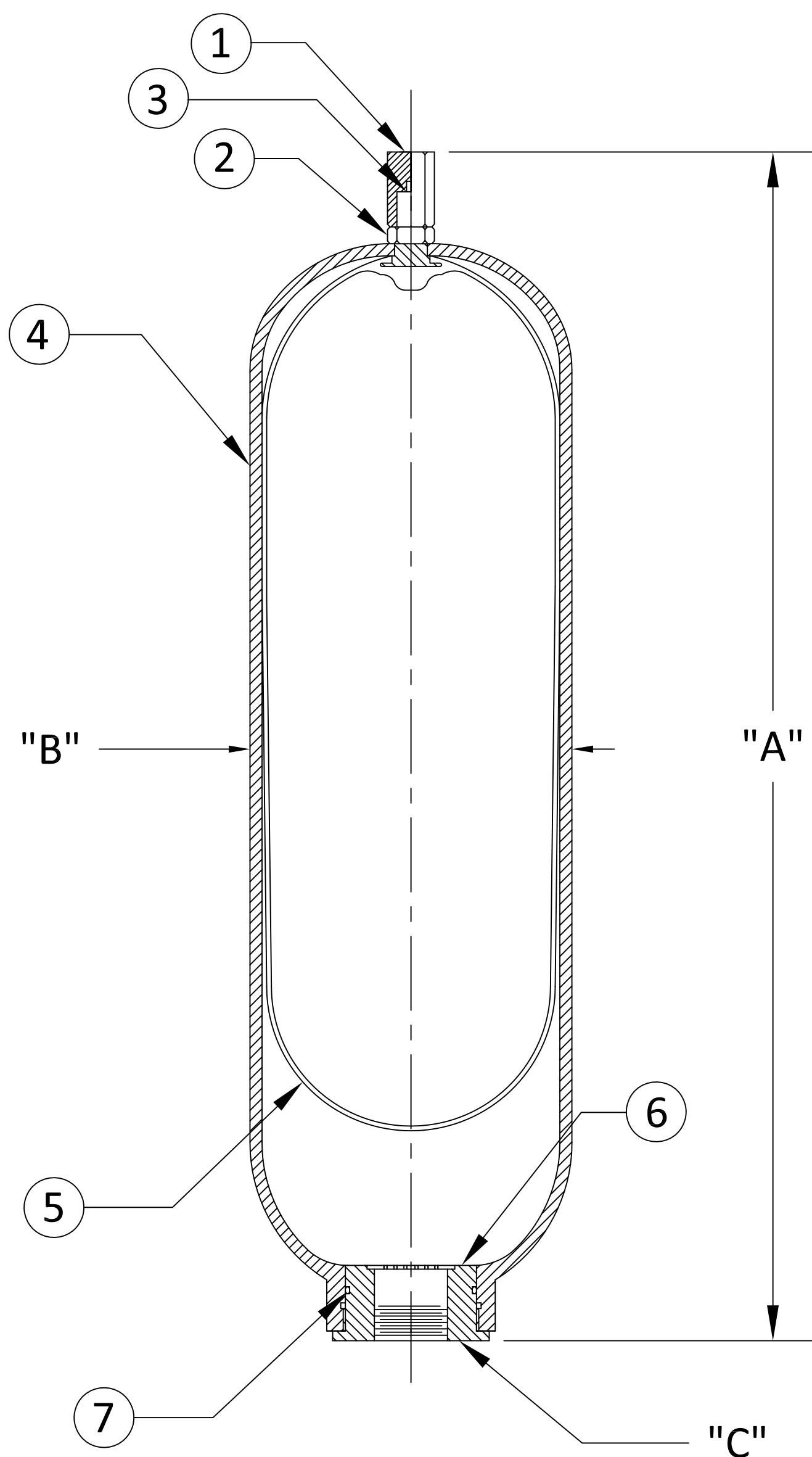


DATA SHEET BET-01

BLADDER EXPANSION TANK

Nominal Size (Gallons)	Model Number	"A" OAH (in)	"B" Dia. (in)	"C" Fluid Connector	Est. Dry Weight (Lbs)	Design Pressure (PSI)
2.5	2.5BET-17	19	8.625	1" NPT FEMALE	47	175
5.0	5.0BET-17	30	8.625	1" NPT FEMALE	67	175
10	10BET-17	51	8.625	1" NPT FEMALE	108	175

- FOR USE IN EXPANSION CHAMBER APPLICATION
- 175 PSI DESIGN PRESSURE WITH A 4X SAFETY FACTOR.
- BLADDER MATERIAL IS AROMATIC RESISTANT BUNA-N
- ASME CODED, SECTION VIII, DIV. 1.
- UL LISTED FOR FIRE PROTECTION



PARTS LIST:

ITEM	QTY	DESCRIPTION
1	1	VALVE GUARD
2	1	LOCKNUT
3*	1	DYNA SEAL
4	1	SHELL
5*	1	BLADDER ASSEMBLY
6	1	FLUID PLUG
7*	1	O-RING

*RECOMMENDED REPLACEMENT PARTS



560 W Terrace Drive, San Dimas, CA 91773
TEL (909) 394-3225 FAX (909) 394-3006