

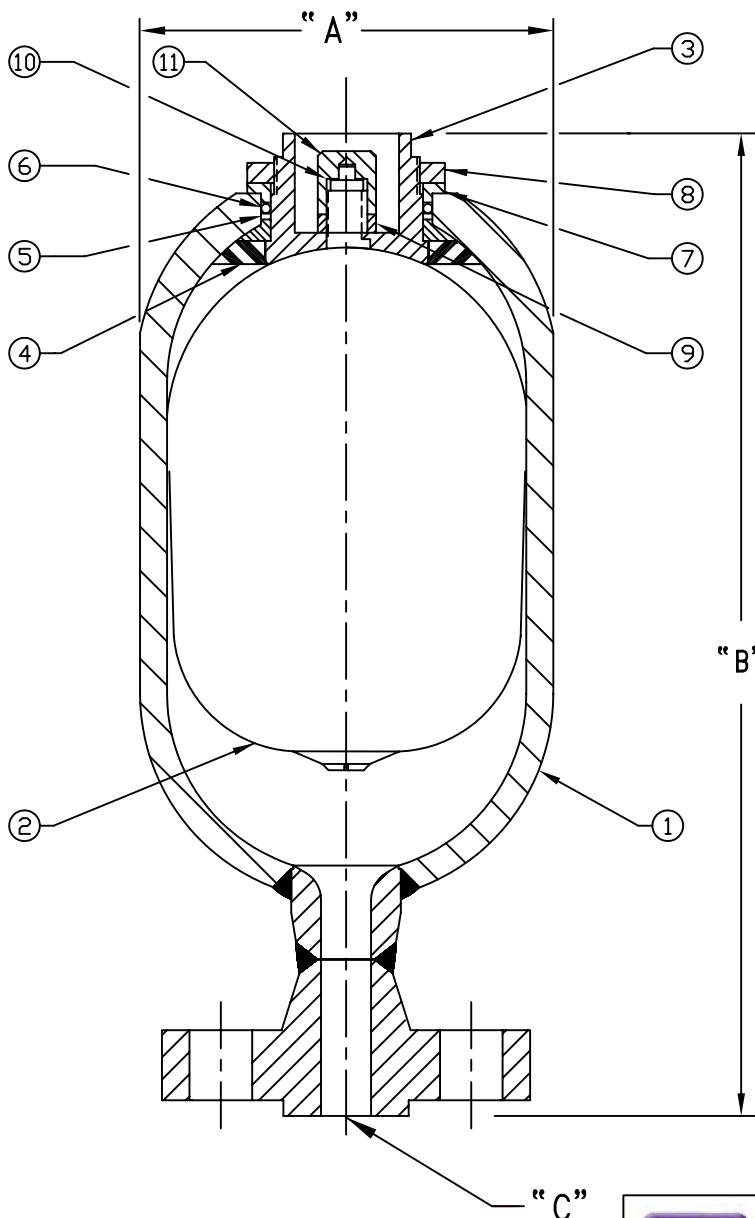
DATA SHEET AT-06S

APPENDAGE TOP REPAIRABLE PULSATION DAMPENER

1500psi

Nominal Size (Gallon)	Model Number	"A" Dia. (In.)	"B" OAH. (In.)	"C" Fluid Port Connector	Est. Dry Weight (lbs)	Design Pressure (psig)
1.0	1.0AT-1500S	6.63	16.50	1"-600# RF FLANGE	31	1500

- ALL WETTED PARTS ARE GR. 316L, STAINLESS STEEL.
- 1500 PSI DESIGN PRESSURE WITH A 4X SAFETY FACTOR PER ASME CODE.
- TOP REPAIRABLE DESIGN.
- BLADDER MATERIAL IS AROMATIC RESISTANT BUNA-N; OTHER COMPOUNDS AVAILABLE.



PARTS LIST:

Item	Qty	Description
1	1	SHELL
2 *	1	BLADDER ASS'Y
3	1	GAS END PLUG
4	1	ANTI-EXTRUSION RING
5	1	WASHER
6 *	1	O-RING
7	1	SPACER
8	1	LOCKNUT
9	1	JAMNUT
10 *	1	DYNA SEAL
11	1	VALVE GUARD

*Recommended replacement parts.

