

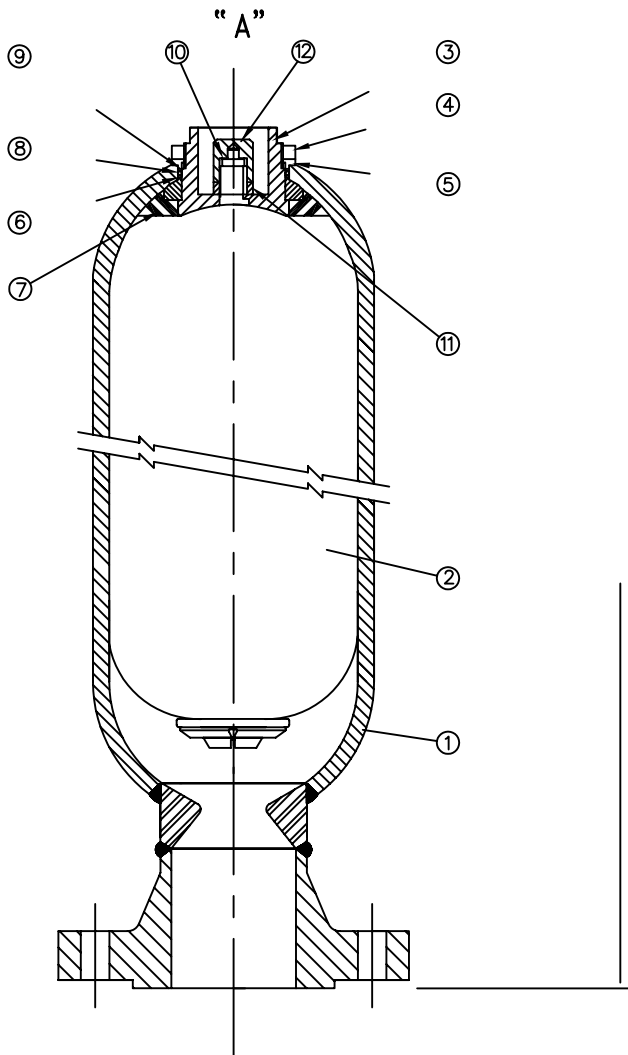
DATA SHEET AT-04

APPENDAGE TOP REPAIRABLE PULSATION DAMPENER

3000psi

Nominal Size (Gallon)	Model Number	"A" Dia. (In.)	"B" OAH. (In.)	"C" Fluid Port Connector	Weight (lbs)	Design Pressure (psig)
2.5	2.5AT-3000C	9.0	22.13		128	3000
5	5.0AT-3000C	9.0	34.13		174	3'

- ALL WETTED PARTS ARE STAINLESS STEEL OR CARBON STEEL.
- 3000 PSI DESIGN PRESSURE WITH A 4X SAFETY FACTOR.
BLADDER MATERIAL IS AROMATIC RESISTANT BUNA-N; OTHER COMPOUNDS ARE AVAILABLE.
- OTHER FLANGE RATINGS ARE AVAILABLE (150, 300, 600 AND 900#)
- ASME CODED, SECTION VIII, DIV. 1.



PARTS LIST:

Item	Qty	Description
1	1	SHELL
2 *	1	BLADDER ASS'Y
3	1	GAS END PLUG
4	1	LOCKNUT
5	1	SPACER
6	1	WASHER
7	1	ANTI-EXTRUSION RING
8 *	1	O-RING
9 *	1	BACK-UP RING
10 *	1	DYNA SEAL
11	1	JAM NUT
12	1	VALVE GUARD

*Recommended replacement parts.

