

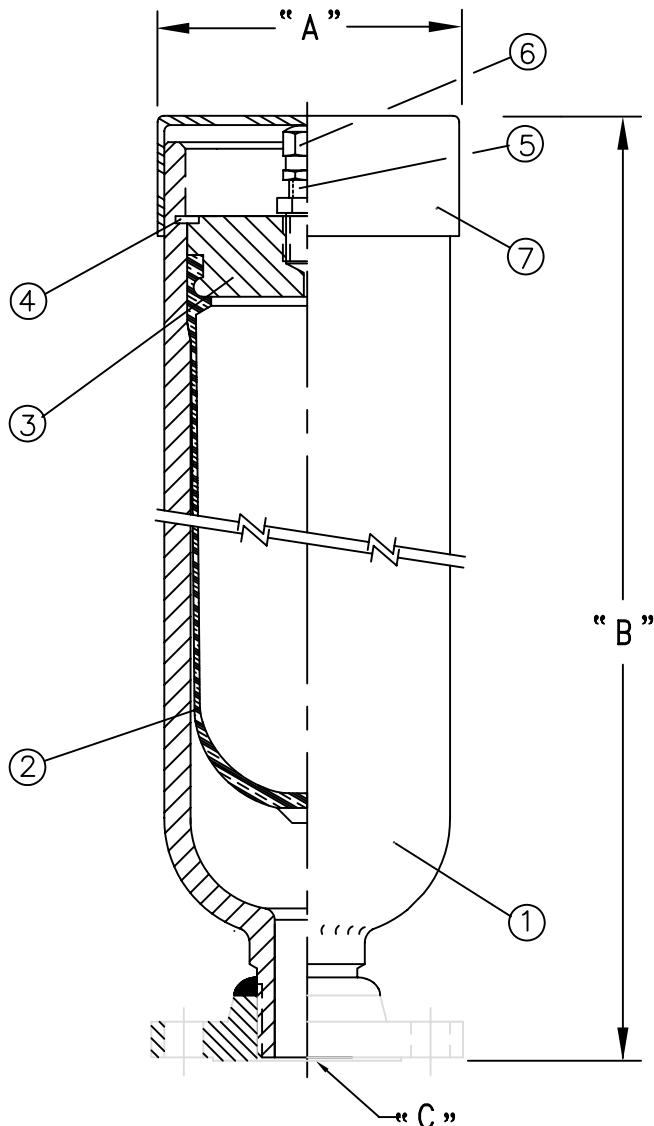
DATA SHEET AT-01CF

APPENDAGE TOP REPAIRABLE PULSATION DAMPENER

3000psi

Nominal Size (Ci)	Model Number	"A" Dia. (In.)	"B" OAH. (In.)	"C" Fluid Port Connectors	Weight (Lbs.)	Design Pressure (psig)
15	15AT-3000CF	2.38	8.25	1/2"-1500# RF ANSI	10	3000
30	30AT-3000CF	3.50	8.30	3/4"-1500# RF ANSI	16	3000

- ALL WETTED PARTS ARE STAINLESS STEEL OR NICKEL PLATED CARBON STEEL.
- 3000 PSI DESIGN PRESSURE WITH A 4X SAFETY FACTOR.
- BLADDER MATERIAL IS AROMATIC RESISTANT BUNA-N; OTHER COMPOUNDS ARE AVAILABLE.
- OTHER FLANGE RATINGS ARE AVAILABLE (150, 300, 600 AND 900#)



PARTS LIST:

Item	Qty	Description
1	1	SHELL
2*	1	BLADDER
3	1	HEAD
4	1	RETAINING RING
5	1	GAS VALVE
6	1	CAP
7	1	PROTECTIVE COVER

*Recommended replacement parts.



**young
engineering
manufacturing, inc.**

560 West Terrace Drive, San Dimas, California 91773-2914
Ph 909.394.3225 Fax 909.394.3006 Em yemi@youngeng.com