

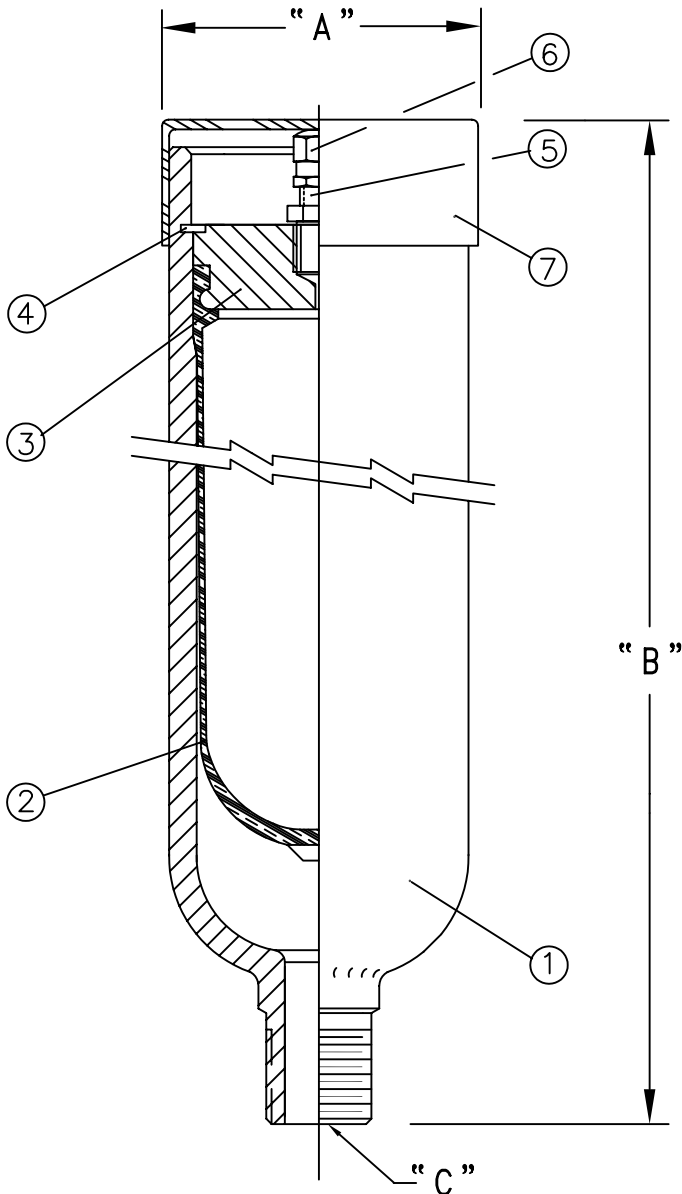
DATA SHEET AT-01C

APPENDAGE TOP REPAIRABLE PULSATION DAMPENER

3000psi

Nominal Size (CI)	Model Number	"A" Dia. (In.)	"B" OAH. (In.)	"C" NPT (In.)	Weight (Lbs.)	Design Pressure (psig)
15	15AT-3000C	2.38	8.25	1/2	4	3000
30	30AT-3000C	3.50	8.30	3/4	9	3000

- ALL WETTED PARTS ARE STAINLESS STEEL OR NICKEL PLATED CARBON STEEL.
- 3000 PSI DESIGN PRESSURE WITH A 4X SAFETY FACTOR.
- BLADDER MATERIAL IS AROMATIC RESISTANT BUNA-N; OTHER COMPOUNDS ARE AVAILABLE.



PARTS LIST:

Item	Qty	Description
1	1	SHELL
2*	1	BLADDER
3	1	HEAD
4	1	RETAINING RING
5	1	GAS VALVE
6	1	CAP
7	1	PROTECTIVE COVER

*Recommended replacement parts.