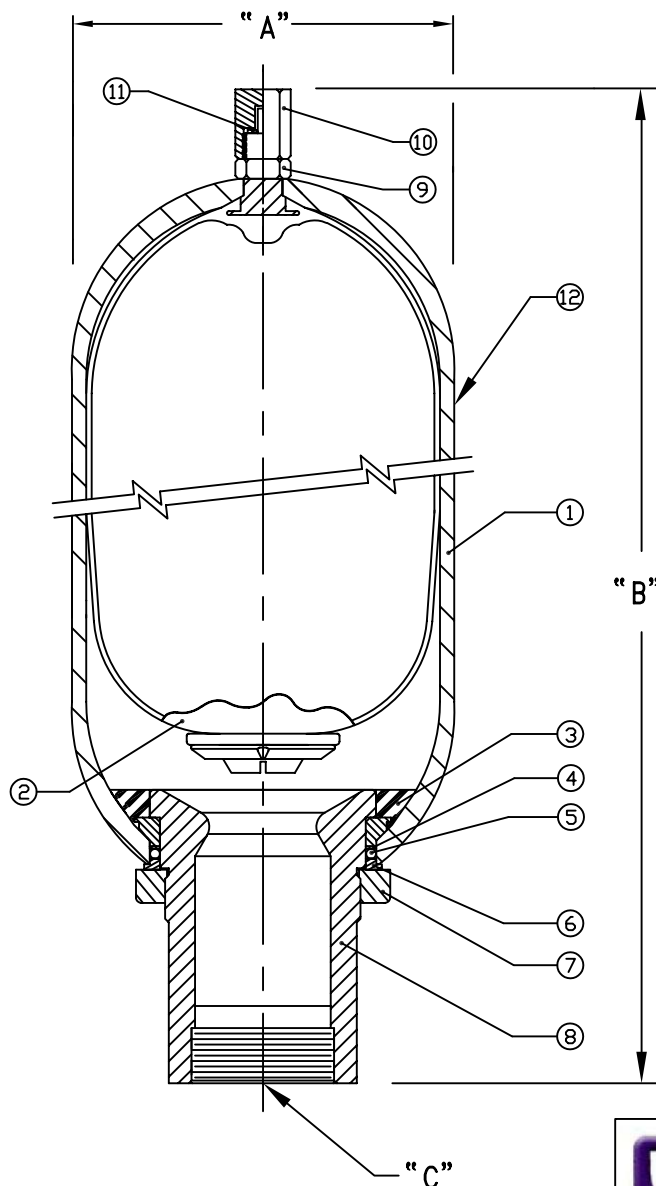


DATA SHEET AS-04S

APPENDAGE BOTTOM REPAIRABLE DISCHARGE DAMPENER 1200psi

Nominal Size (Gallon)	Model Number	"A" Dia. (In.)	"B" OAH. (In.)	"C" NPT. (In.)	Weight (lbs)	Design Pressure (psig)
2.5	2.5AS-1200S	8.63	23.5	3.00	41	1200
5.0	5.0AS-1200S	8.63	36	3.00	67	1200
10	10AS-1200S	8.63	56	3.00	114	1200

- ALL WETTED PARTS ARE STAINLESS STEEL, GRADE 316L.
- 1200 PSI DESIGN PRESSURE WITH A 4X SAFETY FACTOR PER ASME CODE.
- BLADDER MATERIAL IS AROMATIC RESISTANT BUNA-N; OTHER COMPOUNDS ARE AVAILABLE.
- ASME CODE, SECTION VIII, DIV. 1



PARTS LIST:

Item	Qty	Description
1	1	SHELL
2 *	1	BLADDER ASS'Y
3	1	ANTI-EXTRUSION RING
4	1	WASHER
5 *	1	O-RING
6	1	SPACER
7	1	LOCKNUT
8	1	FLUID END PLUG
9	1	JAM NUT
10	1	VALVE GUARD
11 *	1	DYNA SEAL
12	1	NAMEPLATE

*Recommended replacement parts.

