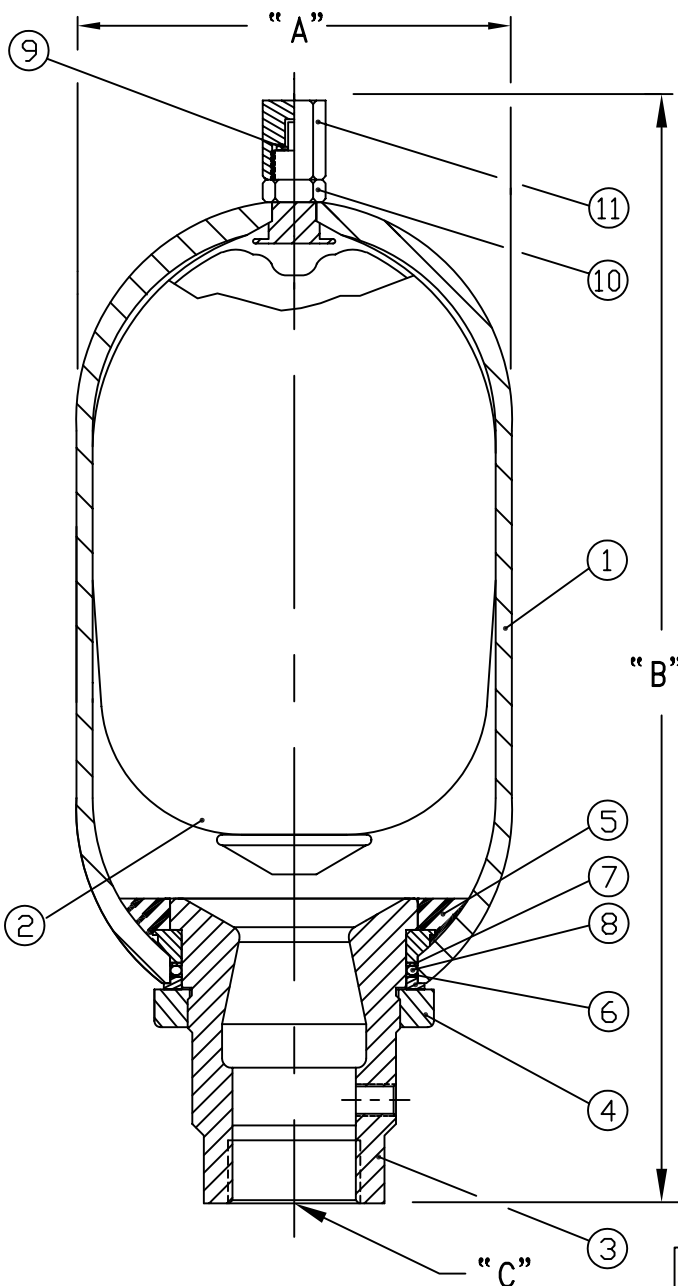


DATA SHEET AS-02

APPENDAGE BOTTOM REPAIRABLE PULSATION DAMPENER 3000psi

Nominal Size (Gallon)	Model Number	"A" Dia. (In.)	"B" OAH. (In.)	"C" NPT. (In.)	Weight (lbs)	Design Pressure (psig)
1	1.0 AS-3000C	6.75	14.81	1	34	3000

- ALL WETTED PARTS ARE STAINLESS STEEL AND EPOXY COATED CARBON STEEL.
- 3000 PSI DESIGN PRESSURE WITH A 4X SAFETY FACTOR PER ASME CODE.
- ASME CODED, SECTION VIII, DIV. 1.



PARTS LIST:

Item	Qty	Description
1	1	SHELL
2 *	1	BLADDER ASS'Y
3	1	FLUID END PLUG
4	1	LOCKNUT
5	1	ANTI-EXTRUSION RING
6	1	SPACER
7	1	WASHER
8 *	1	O-RING
9 *	1	DYNA SEAL
10	1	JAM NUT
11	1	VALVE GUARD

*Recommended replacement parts.

