

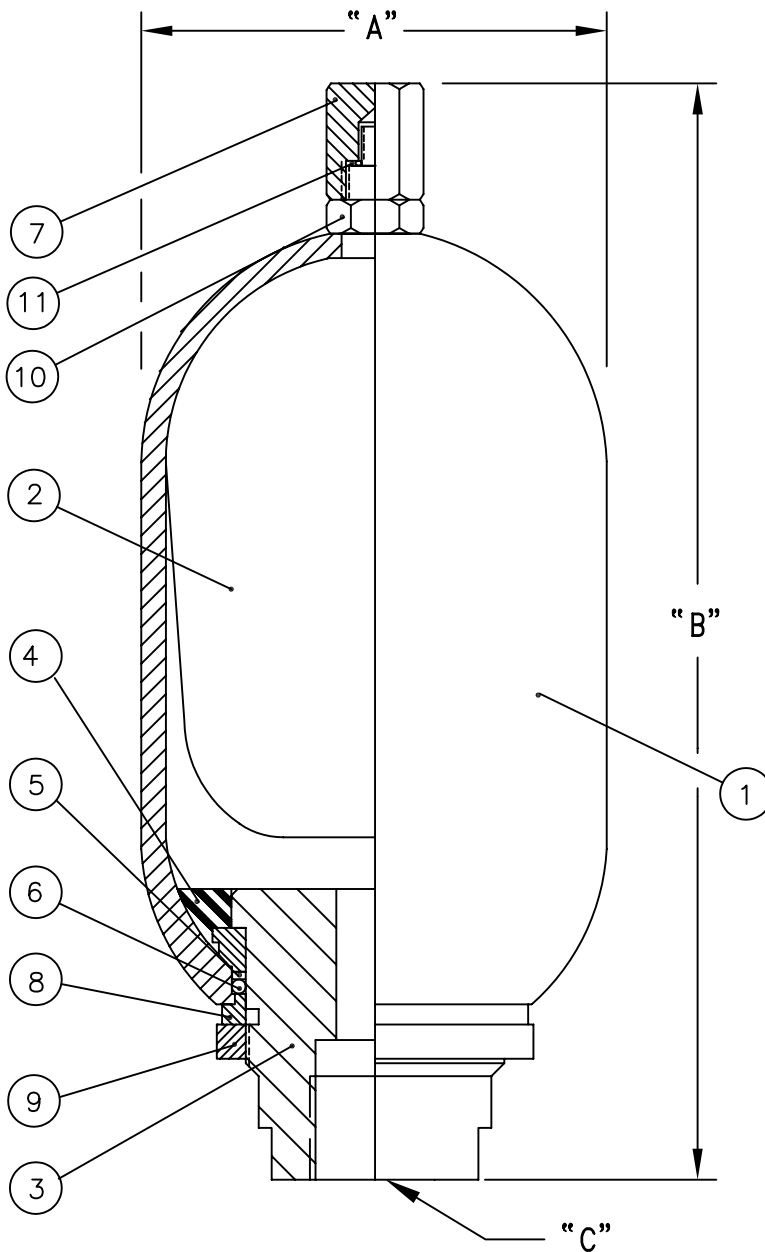
# DATA SHEET AS-01S

## APPENDAGE PULSATION DAMPENER

1500psi

Nominal Size	Model Number	"A" Dia. (In.)	"B" OAH. (In.)	"C" NPT (In.)	Weight (Lbs)	Design Pressure (psig)
1.0 QUART (60 CI)	60AS-1500S	4.50	11.0	1.0	12	1500

- ALL WETTED PARTS ARE 316L STAINLESS STEEL.
- 1500 PSI DESIGN PRESSURE WITH A 4X SAFETY FACTOR.



### PARTS LIST:

Item	Qty	Description
1	1	SHELL
2*	1	BLADDER ASSEMBLY
3	1	PLUG
4	1	ANTI EXTRUSION RING
5	1	WASHER
6	1	O-RING
7*	1	VALVE GUARD
8	1	SPACER
9	1	LOCKNUT
10	1	JAM NUT
11*	1	DYNA SEAL

\*Recommended replacement parts.

DSAS-01S/1-28-93



**young  
engineering  
manufacturing, inc.**

560 West Terrace Drive, San Dimas, California 91773-2914  
Ph 909.394.3225 Fax 909.394.3006 Em yemi@youngeng.com