

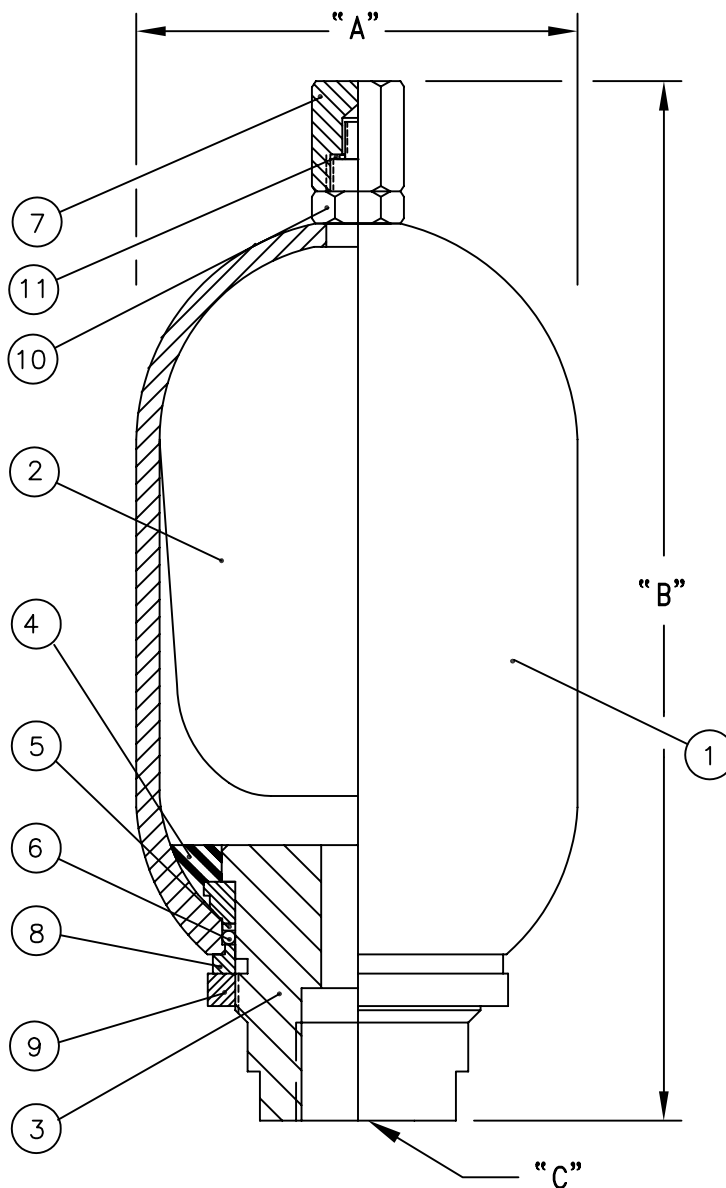
DATA SHEET AS-01

APPENDAGE PULSATION DAMPENER

3000psi

Nominal Size (ci)	Model Number	"A" Dia. (In.)	"B" OAH. (In.)	"C" NPT (In.)	Weight (Lbs)	Design Pressure (psig)
60 (1 QUART)	60AS-3000C	4.50	11.0	1.0	12	3000

- ALL WETTED PARTS ARE 316L STAINLESS STEEL OR EPOXY COATED CARBON STEEL.
- 3000 PSI DESIGN PRESSURE WITH A 4X SAFETY FACTOR.
- BLADDER MATERIAL IS AROMATIC RESISTANT BUNA-N; OTHER COMPOUNDS ARE AVAILABLE.



PARTS LIST:

Item	Qty	Description
1	1	SHELL
2*	1	BLADDER ASSEMBLY
3	1	PLUG
4	1	ANTI EXTRUSION RING
5	1	WASHER
6*	1	O-RING
7	1	VALVE GUARD
8	1	SPACER
9	1	LOCKNUT
10	1	JAM NUT
11*	1	DYNA SEAL

*Recommended replacement parts.

